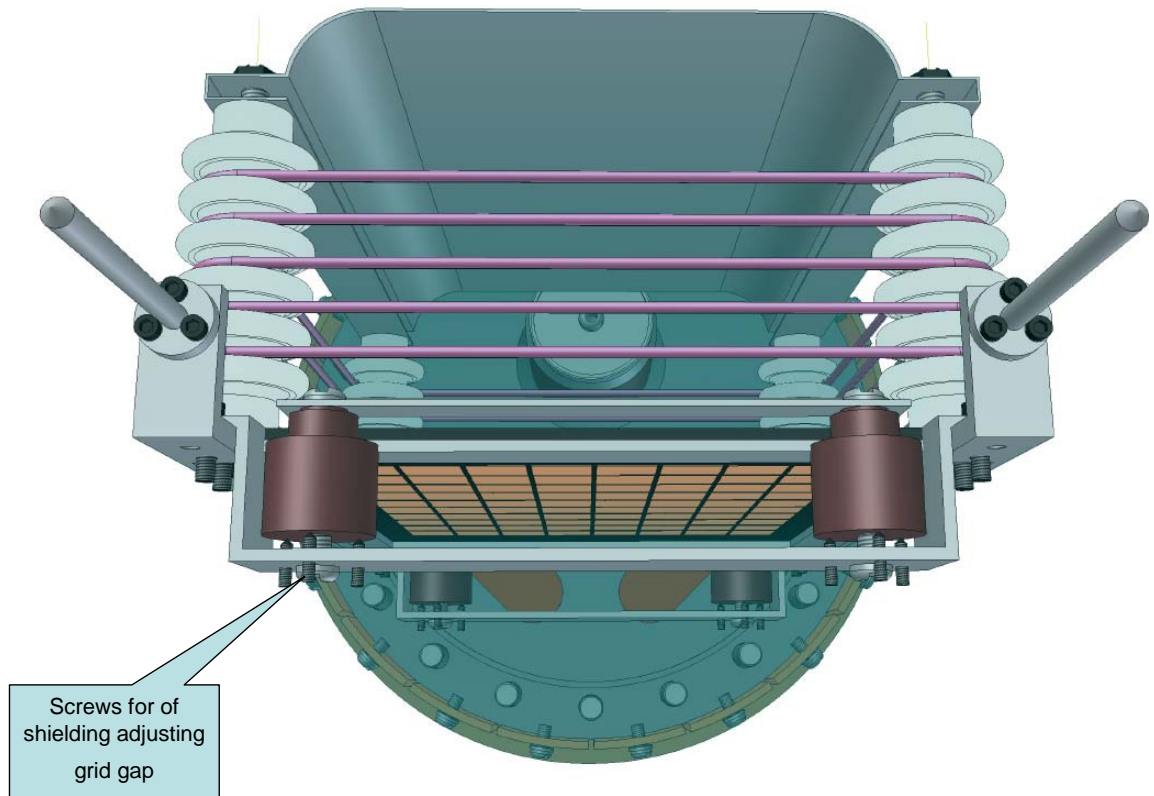
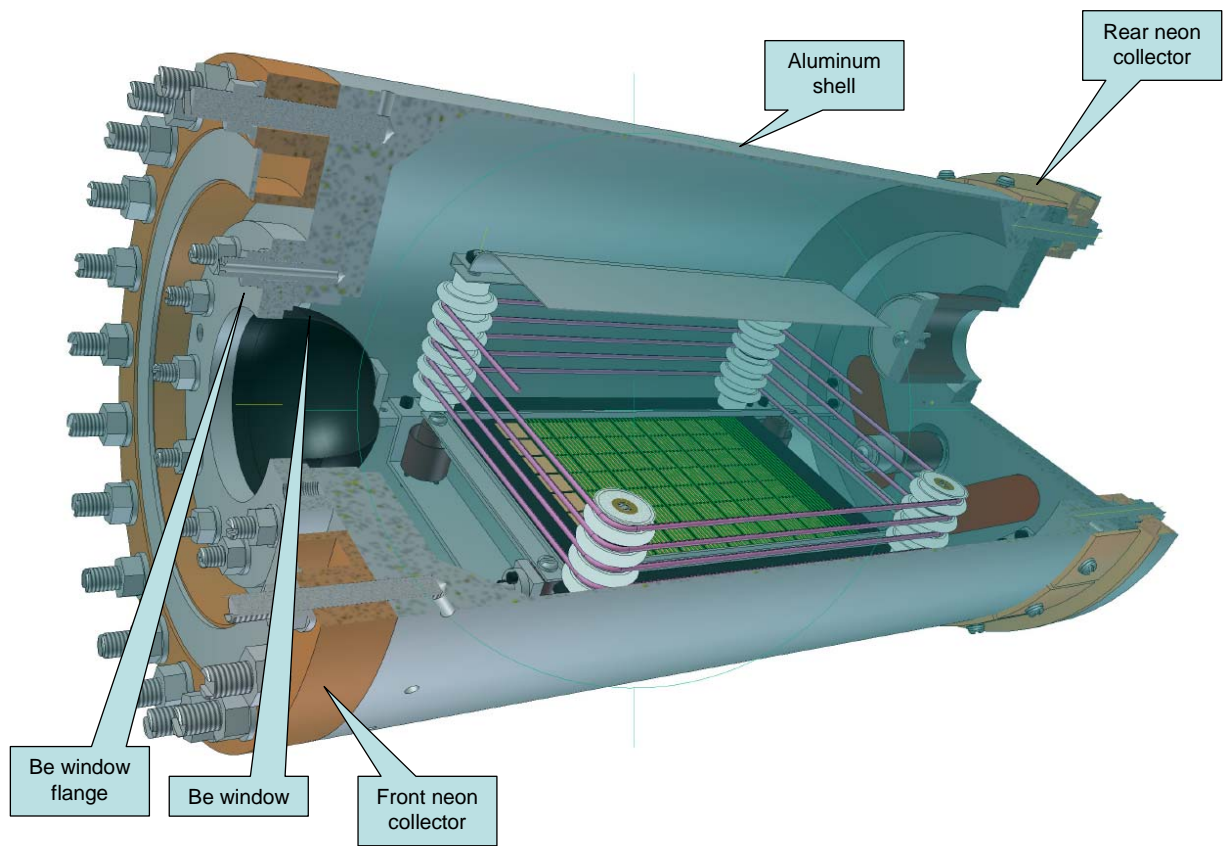


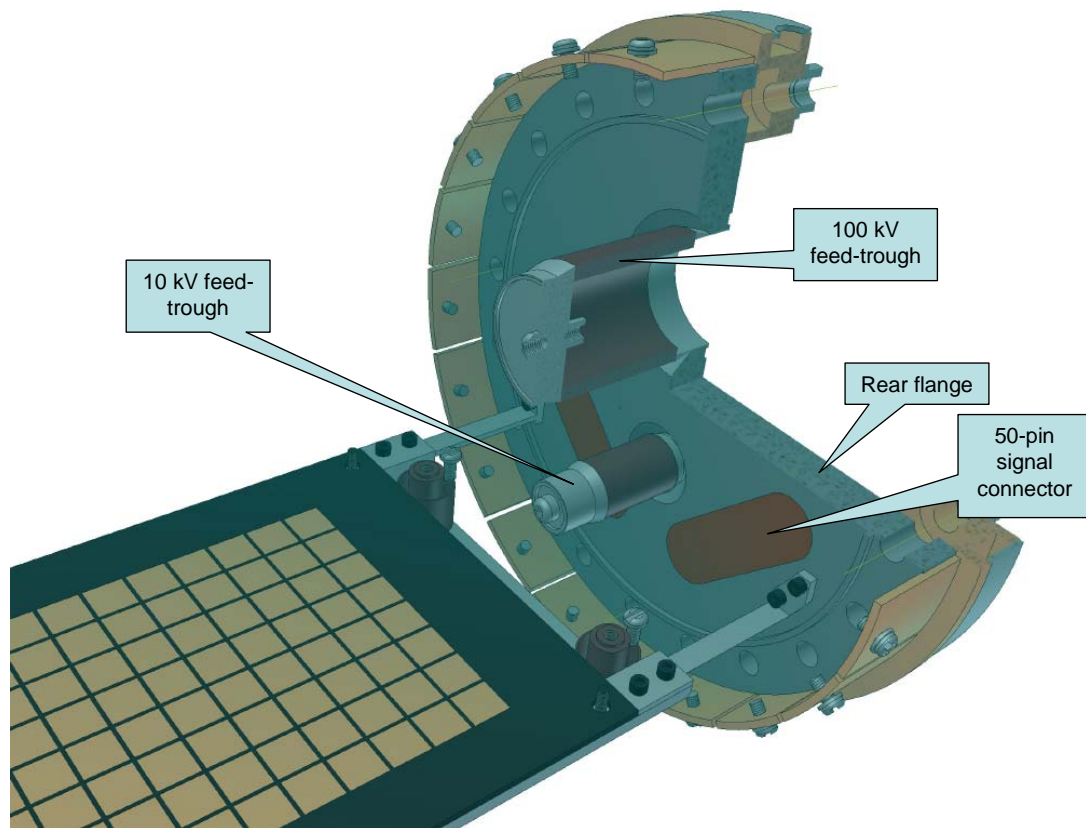
**Fig. 1. Cryogenic ionization chamber (CIC) layout with basic details**



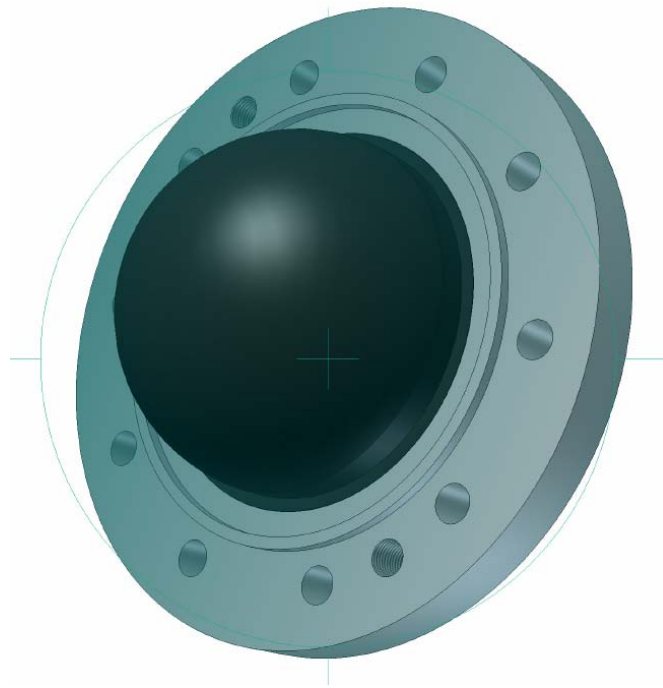
**Fig. 2. CIC – view from the Be window side**



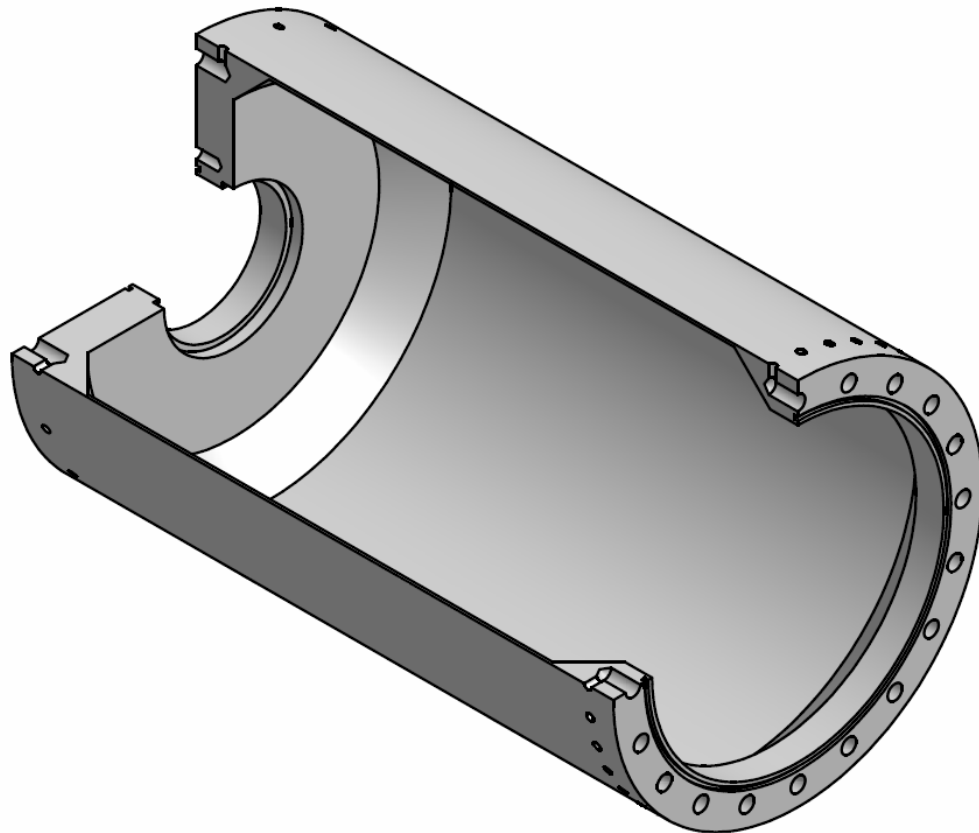
**Fig. 3. CIC in the aluminum shell**



**Fig. 4. More detail view for the rear flange**



**Fig. 5. Be window in the flange. Spherical radius 30 mm, wall thickness 0.4 mm.**



**Fig. 6. The aluminum shell. Thickness of the walls is not set yet precisely and must be calculated in accordance with safety demands**

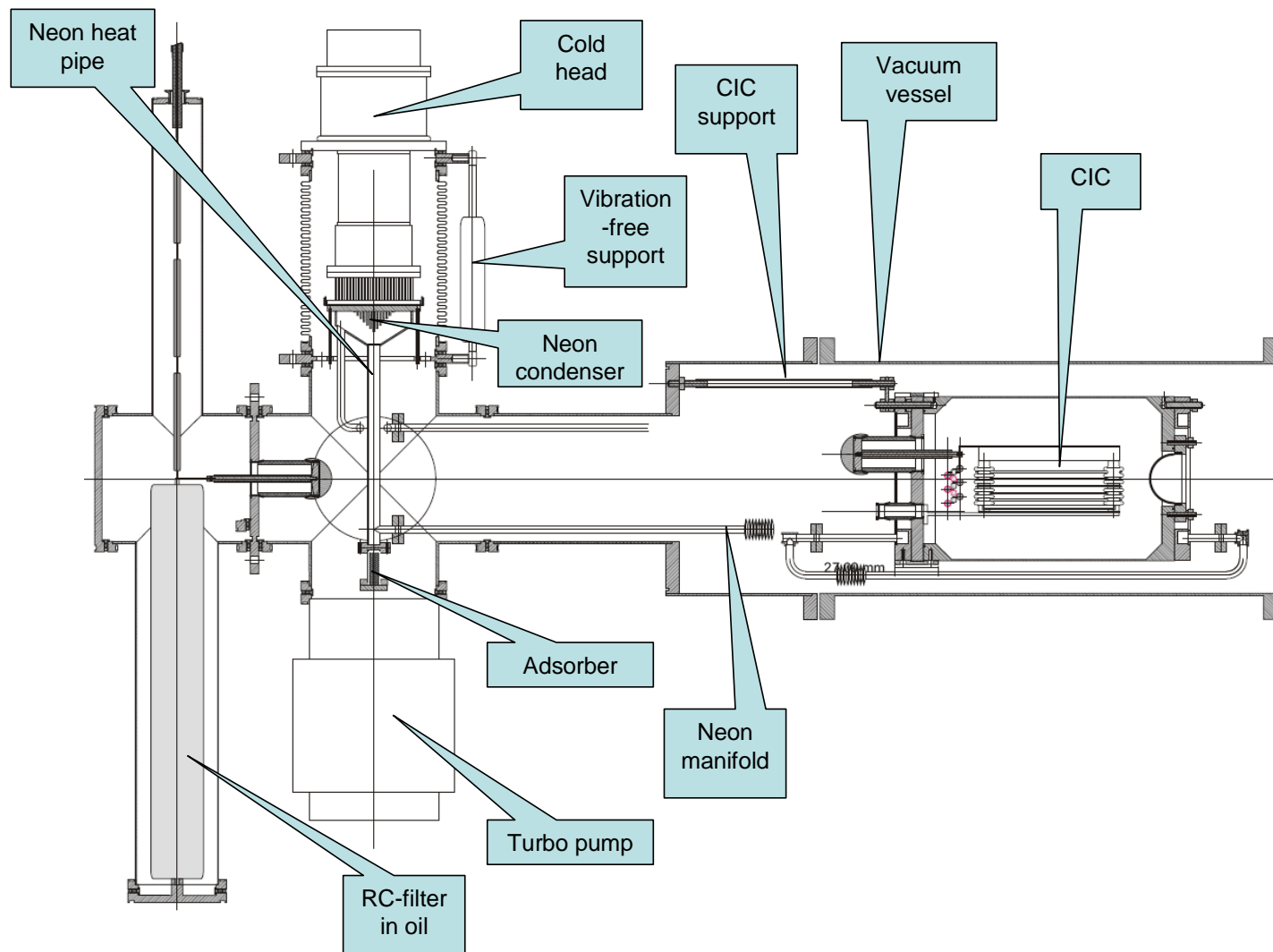


Fig. 7. System layout